

# CSM CAPITAL SHEET METAL INC.

## ROOFING METAL

10 foot lengths • 100 pieces/bundle

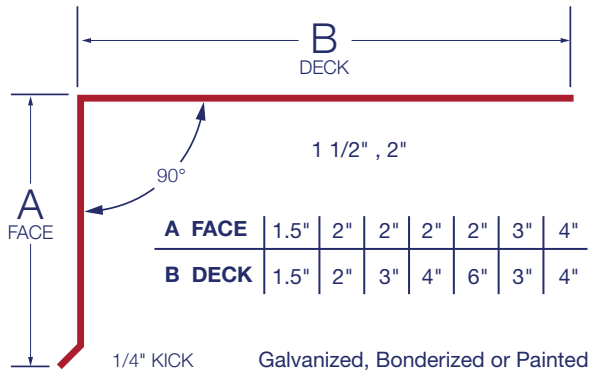
26 GAUGE: .019 MIN. | G90

28 GAUGE: .016 MIN. | G90

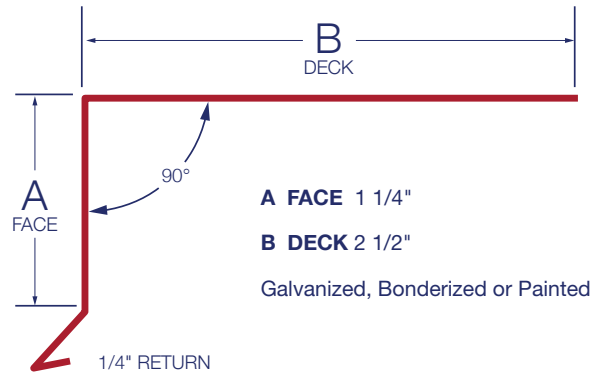
PAINTED: .019 & .016 | AZ55

*When Quality Matters*

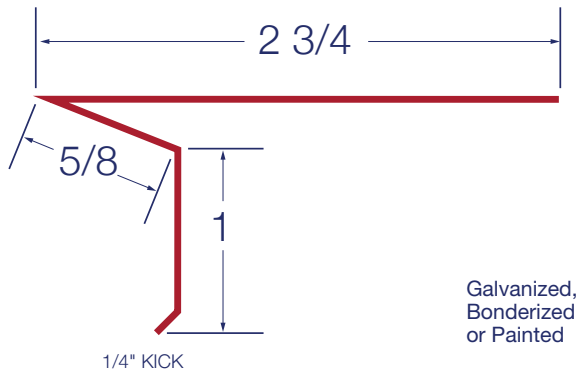
### DRIP EDGE



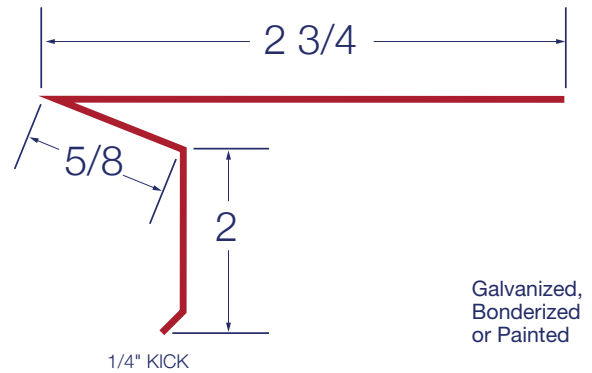
### DRIP EDGE WITH RETURN



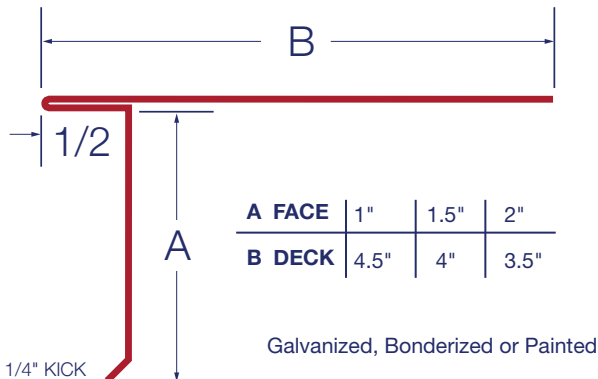
### STYLE D OPEN DRIP EDGE 1" FACE



### STYLE D OPEN DRIP EDGE 2" FACE



### STYLE D CLOSED OVERHANG



### ROOF STARTER



18155 GRAND AVE., LAKE ELSINORE, CA 92530

CUSTOMER CARE: 951-678-2000

FAX ORDERS: 951-678-4127

19998 MONTE WAY,  
CALDWELL, IDAHO 83607

LOCAL: 208-506-2951

CAPITAL-SHEETMETAL.COM

E-MAIL ORDERS: MARITZA@CAPITAL-SHEETMETAL.COM

# CSM CAPITAL SHEET METAL INC.

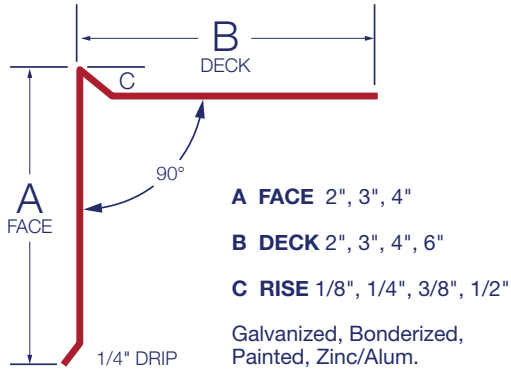
## ROOFING METAL

10 foot lengths · 100 pieces/bundle

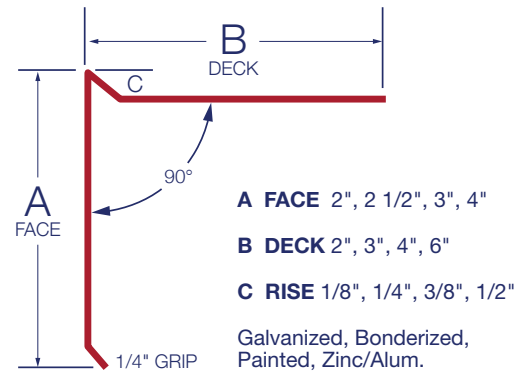
26 GAUGE: .019 MIN. | G90  
 28 GAUGE: .016 MIN. | G90  
 PAINTED: .019 & .016 | AZ55

*When Quality Matters*

### GRAVEL STOP WITH DRIP



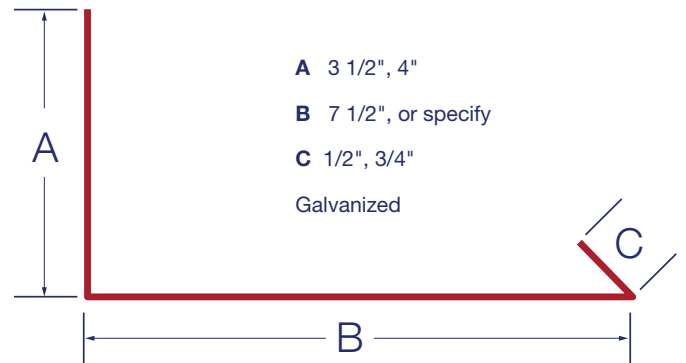
### GRAVEL STOP WITH GRIP



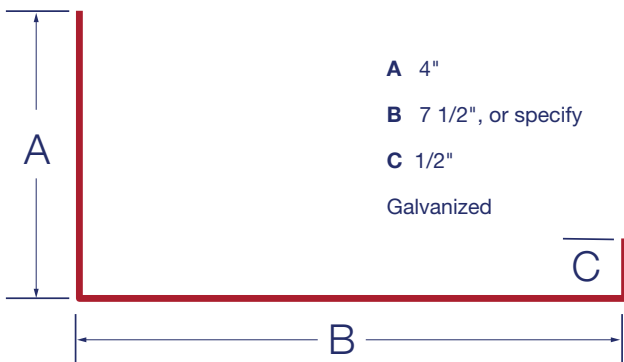
### SADDLE STOCK



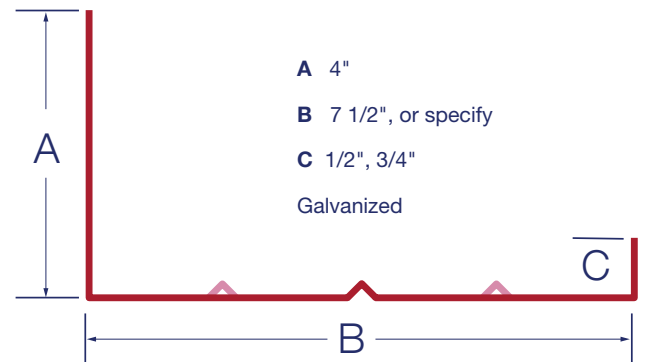
### TILE PAN



### TILE PAN U-CHANNEL



### TILE PAN RIBBED 1 Rib | 2 Ribs



18155 GRAND AVE., LAKE ELSINORE, CA 92530

**CUSTOMER CARE:** 951-678-2000  
**FAX ORDERS:** 951-678-4127

19998 MONTE WAY,  
 CALDWELL, IDAHO 83607

**LOCAL:** 208-506-2951

**CAPITAL-SHEETMETAL.COM**

**E-MAIL ORDERS:** MARITZA@CAPITAL-SHEETMETAL.COM

# CSM CAPITAL SHEET METAL INC.

## ROOFING METAL

10 foot lengths · 100 pieces/bundle

26 GAUGE: .019 MIN. | G90

28 GAUGE: .016 MIN. | G90

PAINTED: .019 & .016 | AZ55

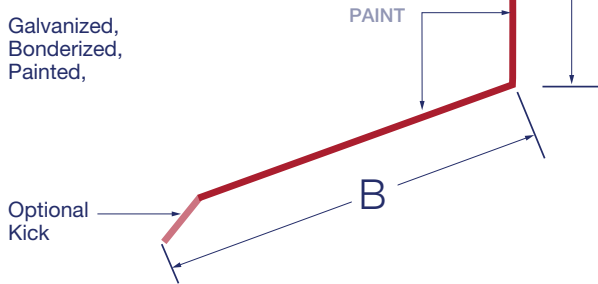
*When Quality Matters*

### ROOF-TO-WALL

A 2"

B 4", 6"

Galvanized,  
Bonderized,  
Painted,



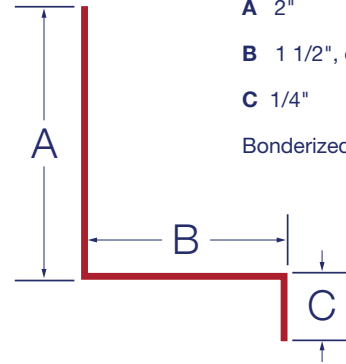
### WATER TABLE

A 2"

B 1 1/2", or specify

C 1/4"

Bonderized



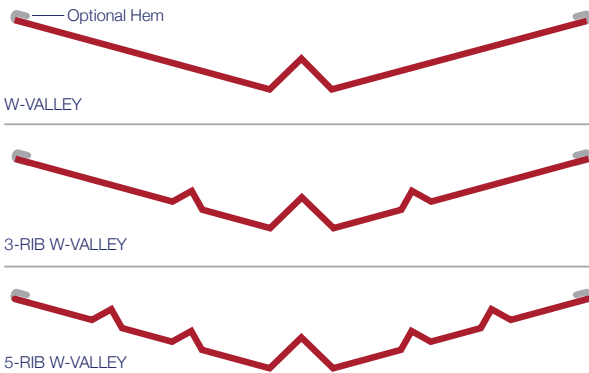
### W-VALLEY

Optional Hem

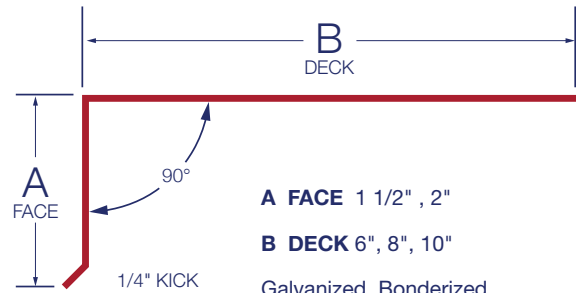
W-VALLEY

3-RIB W-VALLEY

5-RIB W-VALLEY



### ANTI-PONDING METAL

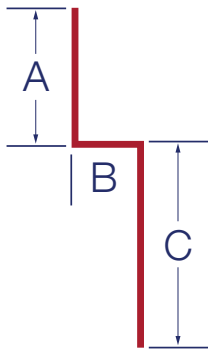


A FACE 1 1/2", 2"

B DECK 6", 8", 10"

Galvanized, Bonderized

### Z-FLASHING



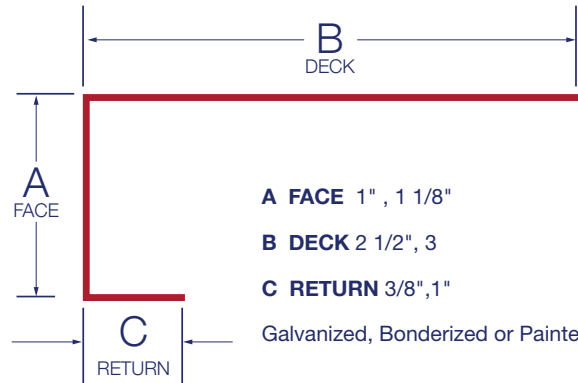
A WALL 2"

B SEAT 7/8", 1 1/2"

C FACE 3"

Galvanized, Bonderized

### 3-WAY RECOVER · C METAL



A FACE 1", 1 1/8"

B DECK 2 1/2", 3"

C RETURN 3/8", 1"

Galvanized, Bonderized or Painted

18155 GRAND AVE., LAKE ELSINORE, CA 92530

CUSTOMER CARE: 951-678-2000

FAX ORDERS: 951-678-4127

19988 MONTE WAY,  
CALDWELL, IDAHO 83607

LOCAL: 208-506-2951

CAPITAL-SHEETMETAL.COM

E-MAIL ORDERS: MARITZA@CAPITAL-SHEETMETAL.COM

# CSM CAPITAL SHEET METAL INC.

## ROOFING METAL

10 foot lengths · 100 pieces/bundle

26 GAUGE: .019 MIN. | G90

28 GAUGE: .016 MIN. | G90

PAINTED: .019 & .016 | AZ55

*When Quality Matters*

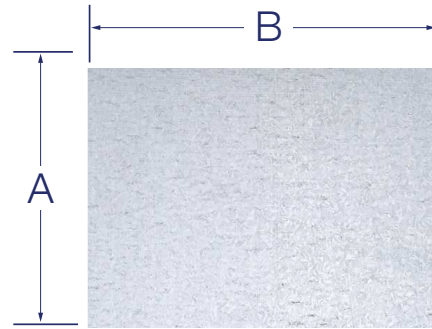
### NO CAULK PIPE FLASHING



**ADJUSTABLE 1" - 3"**  
Galvanized, Black, Brown

**ADJUSTABLE 3" - 4"**  
Galvanized, Black, Brown

### TIN SHINGLES



5" x 7" 100/BNDL

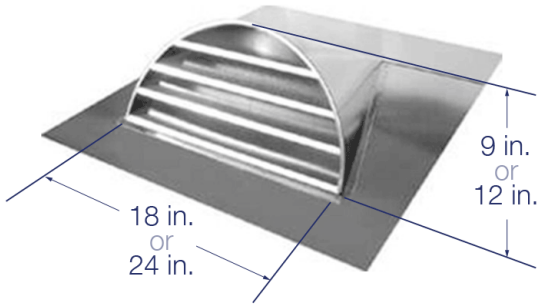
6" x 8" 100/BNDL

8" x 12" 50/BNDL

10" x 14" 50/BNDL

Galvanized,  
Painted

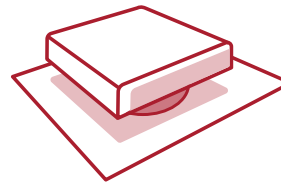
### HALF ROUND DORMER



24" 140 N.F.V.  
Galvanized, Aluminum - 1/8 in. screen

### ATTIC VENT

**RVO50**



N.F.A. - 50 sq. in.  
Galvanized Steel

Black

Brown

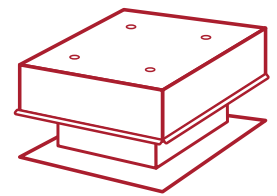
Gray

02050007

02050001

02050026

### GRAVITY VENT



26 Ga. Zinc-Aluminum  
Self-Flashing Flange

### T-TOP



4" or 7"  
Galvanized, Aluminum

### BIRD STOP



Capistrano Espana



Mission



Malibu



Villa

28 Ga.

Black

Brown

Red

Terra Cotta

White

18155 GRAND AVE., LAKE ELSINORE, CA 92530

**CUSTOMER CARE:** 951-678-2000

**FAX ORDERS:** 951-678-4127

19998 MONTE WAY,  
CALDWELL, IDAHO 83607

**LOCAL:** 208-506-2951

**CAPITAL-SHEETMETAL.COM**

**E-MAIL ORDERS:** MARITZA@CAPITAL-SHEETMETAL.COM