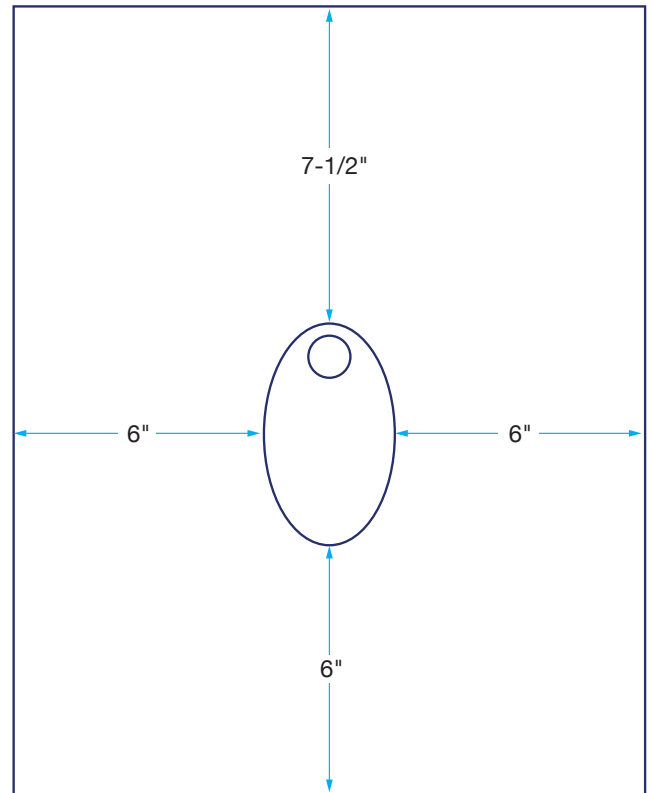
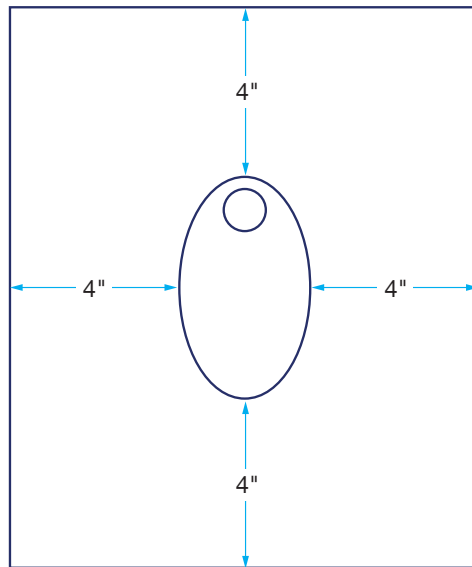


CHOOSING THE RIGHT PIPE FLASHING

Measurements are taken from the base of the cone to the edge of the flange.

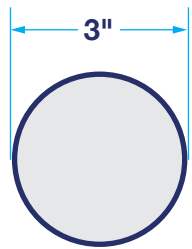
Standard Base Flashing is generally used for composition shingle roofs with a slope between 3/12 and 6/12. Building codes may require FHA flashing for steeper slopes.

FHA flashing is required on all projects financed by the FHA.

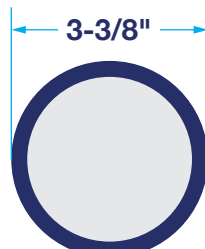


Different kinds of pipe will have different outside diameters even though they are all named for the Conductor Flashing diameter.

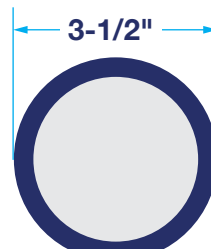
3 INCH PIPE



CONDUCTOR

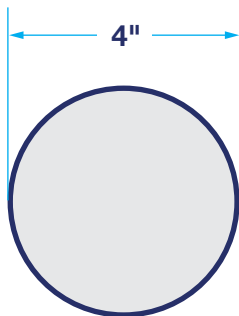


SOIL

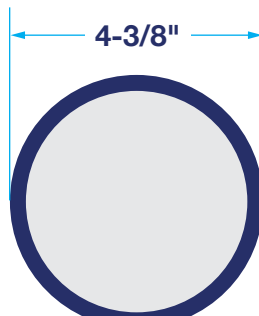


DOUBLE WALL

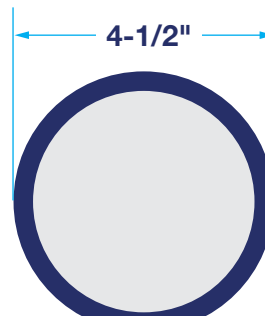
4 INCH PIPE



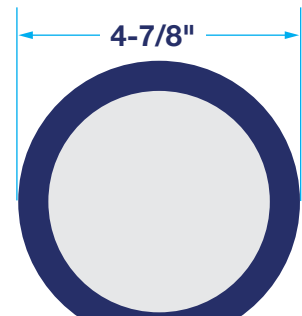
CONDUCTOR



SOIL



DOUBLE WALL



TRANSITE